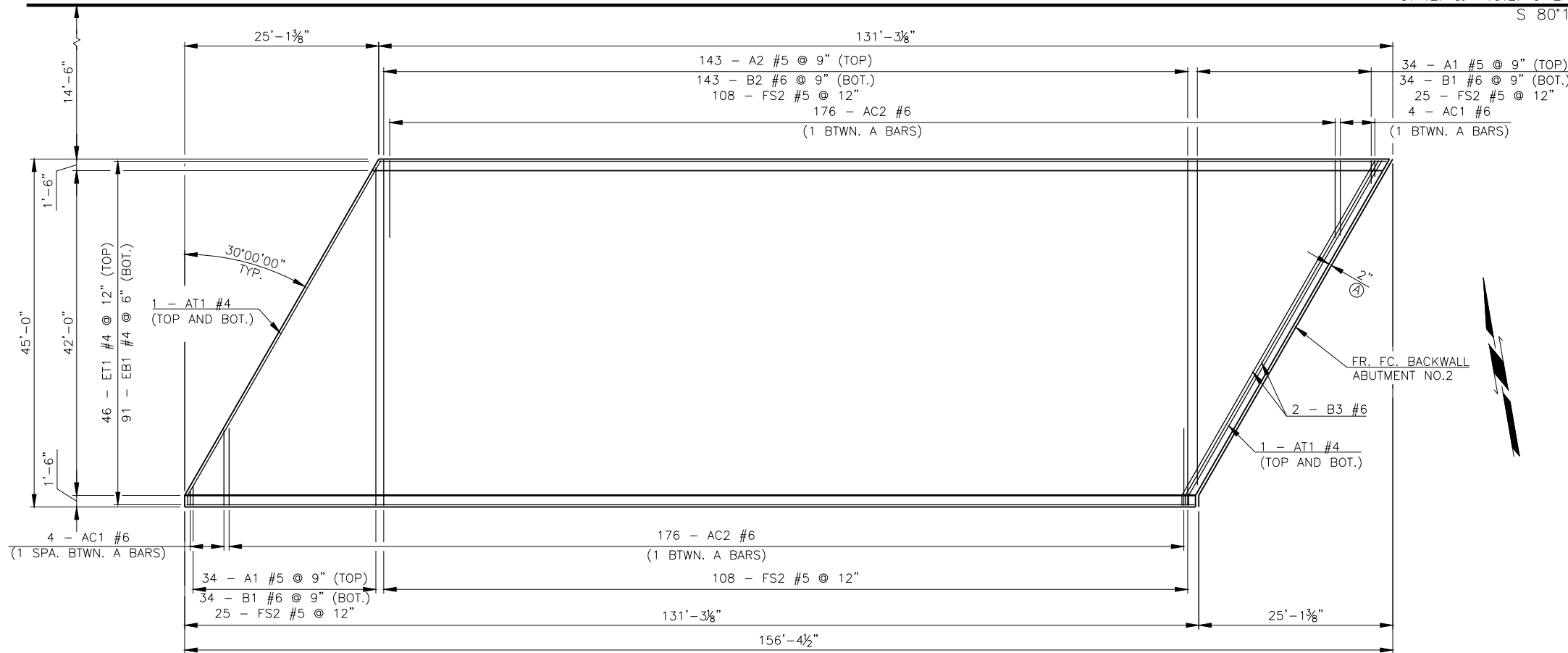


DESCRIPTION	REVISIONS	DATE

C.R.L. & P.G.L. OKLAHOMA CITY BOULEVARD  
S 80°17'4.66" E

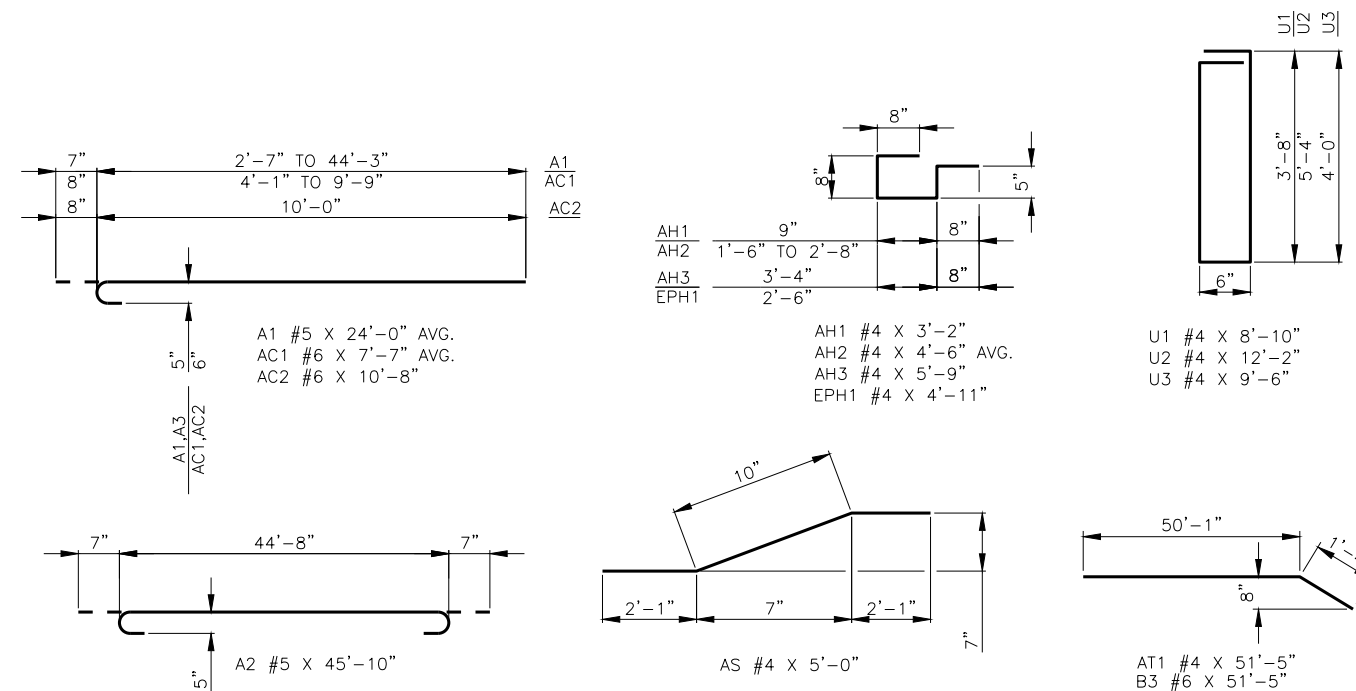


**SLAB REINFORCING PLAN**

SUPERSTRUCTURE BAR LIST					
EPOXY COATED REINFORCING					
MARK	SIZE	NO.	FORM	LENGTH	LENGTH VARIATION
① A1	#5	68	BNT.	24'-0" AVG.	3'-2" TO 44'-10"
A2	#5	143	BNT.	45'-10"	
AC1	#6	8	BNT.	7'-7" AVG.	4'-9" TO 10'-5"
AC2	#6	336	BNT.	10'-8"	
AH1	#4	6	BNT.	3'-2"	
② AH2	#4	15	BNT.	4'-6" AVG.	3'-11" TO 5'-1"
③ AH3	#4	32	BNT.	5'-9"	
AS	#4	46	BNT.	5'-0"	
AT1	#4	10	BNT.	51'-5"	
④ AT2	#4	12	STR.	8'-6" AVG.	6'-8" TO 10'-4"
AT3	#4	2	STR.	2'-6" AVG.	1'-9" TO 3'-3"
① B1	#6	68	STR.	23'-5" AVG.	2'-7" TO 44'-3"
B2	#6	143	STR.	44'-8"	
B3	#6	2	BNT.	51'-5"	
⑤ EB1	#4	91	STR.	135'-1"	
EPH1	#4	46	BNT.	4'-11"	
⑤ ET1	#4	46	STR.	135'-1"	
F1	#4	112	STR.	8'-9"	
F2	#4	16	STR.	6'-8"	
F3	#4	96	STR.	10'-3"	
⑥ FS2	#5	266	BNT.	7'-4"	
U1	#4	88	BNT.	8'-10"	
U2	#4	64	BNT.	12'-2"	
U3	#4	32	BNT.	9'-6"	

- ① TWO SETS OF 34.
- ② FIVE SETS OF 3.
- ③ FOUR SETS OF 8.
- ④ FOUR SETS OF 3.
- ⑤ INCLUDES 2 LAPS AT 2'-0"
- ⑥ FOR BAR BEND, SEE STD. FSHP-42-2.

Ⓐ 2" NOMINAL JOINT OPENING AT AMBIENT TEMPERATURE OF 43°. SEE EXPANSION JOINT SETTING SCHEDULE, SHEET 101.



DESIGN	T.A.C.	OKLAHOMA CITY BLVD.	OKLAHOMA COUNTY
DRAWN	M.R.S.	OVER CLASSEN BLVD.	BRIDGE A
CHECKED	T.A.C.	<b>SLAB REINFORCING PLAN</b>	
APPROV.	T.A.C.		
SQUAD	CEC		
		JOB PIECE NO. 17428(88)	SHEET NO. 99